

# Sky Runner



Speed 400 motor

Requires: 4 channel radio w/4 micro servos  
15A speed controller and 8 cells 1000 mAh battery .

### Specifications

<b>Wing Span</b>	<b>49 in/1240 mm</b>
<b>Wing Area</b>	<b>336 sq in/21.7 sq dm</b>
<b>Flying Weight</b>	<b>23.7oz/670 g</b>
<b>Fuselage Length</b>	<b>33 in/835 mm</b>

\*Specifications are subject to change without notice.\*

### **Warning! This model is not a toy.**

It is designed for maximum performance. Please seek advice if one is not familiar with this kind of electric powered precision model. Operating this model without prior preparation may cause injuries. Remember, safety is the most important thing. Always keep this instruction manual at hand for quick reference.



**TWM**  
The World Models  
Manufacturing Co., LTD.  
www.theworldmodels.com

FACTORY PRE-FABRICATED  
ALMOST-READY-TO-FLY (ARF) SERIES  
MADE IN CHINA

# Sky Runner

## INDEX

BEFORE YOU BEGIN	P. 1
PARTS LIST	P. 2
ASSEMBLY	P. 3-9
SAFETY PRECAUTIONS	P.9

## BEFORE YOU BEGIN

- 1 Read through the manual before you begin, so you will have an overall idea of what to do.
- 2 Check all parts. If you find any defective or missing parts contact your local dealer. Please DRY FIT and check for defects for all parts that will require CA or Epoxy for final assembly. Any parts you find to be defective after the gluing process may be difficult to remove for warranty replacement. The manufacturer will replace any defective parts, but will not extend to the parts that are good before gluing to defective parts during assembly. Warranty will not cover any parts modified by customer.
- 3 Symbols used throughout this instruction manual comprise of the following :-



Apply epoxy glue.



Apply instant glue (C.A.glue, super glue.)



Assemble left and right sides the same way.



Ensure smooth non-binding movement while assembling.



Peel off shaded portion covering film.



Cut off shaded portion.



Drill holes with the specified diameter (here: 3mm).



Must be purchased separately!



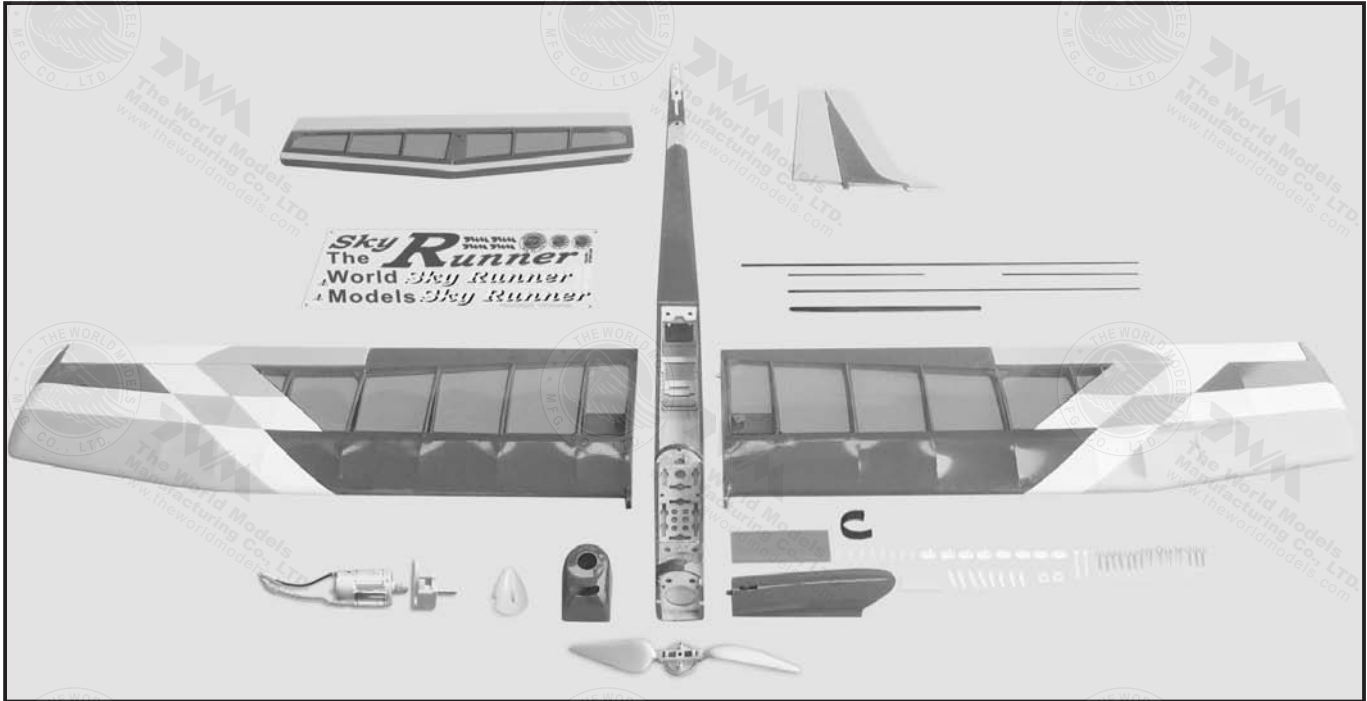
Pay close attention here!



Do not overlook this symbol!



Pierce the shaded portion covering film.

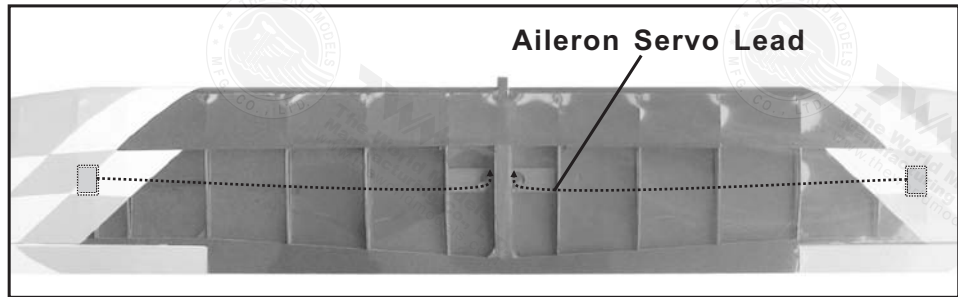
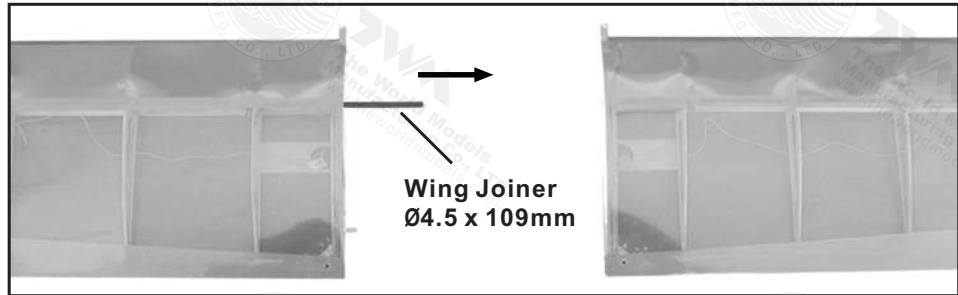
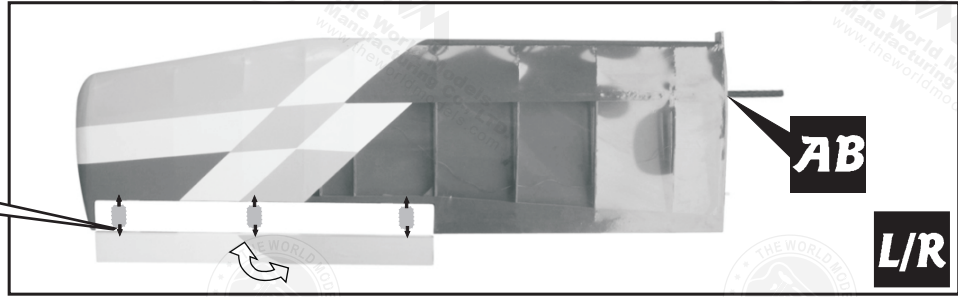
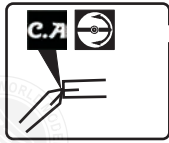


## Parts list

1. MAIN WING – 1 pc.  
WING JOINER Ø4. 5x109mm—1 pc.
  2. SCREW PM2x12mm—4 pcs  
STRAPER—2 pcs  
FUEL TUBE d2xD4x4mm—4 pcs  
CLEVIS—2 pcs  
HORN—2 sets  
PUSHROD Ø1. 4x72mm w/Threads (For Aileron Servo)—2 pcs
  3. STABILIZER & ELEVATOR—1 set  
FUSELAGE—1 pc.  
BAMBOO Ø3 x10 mm – 1 pc.
  4. VERTICAL FIN & RUDDER—1 set
  5. SCREW PM2x8mm—2 pcs  
CLEVIS—1 pc.  
FUEL TUBE d2xD4x4mm—1 pc.  
HORN—1 set  
PUSHROD Ø1. 4x500mm w/Threads (For Elevator Servo)—1 pc.
  6. SCREW PM2x10mm—2 pcs  
CLEVIS—1 pc.  
FUEL TUBE d2xD4x4mm—1 pc.  
HORN—1 set  
PUSHROD Ø1. 4x445mm w/Threads (For Rudder Servo)—1 pc.
  7. SPEED 400 MOTOR—1 set  
GEARBOX—1 set  
SPINNER Ø36—1 set  
FOLDING PROPELLER SET—1 set  
COWLING—1 pc.  
SCREW PWA2x8mm—4 pcs
  8. FUEL TUBE d2xD4x4mm—2 pcs  
STRAPER—2 pcs  
SPONGE (For Radio Equipment) 10x50x150mm—1 pc.  
DOUBLE -SIDED TAPE 30x35mm - -1 pc .  
BATTERY TIE - -1 pc .
  9. NYLON BOLT M2 5x16mm - -2 pcs  
NYLON WASHER d2 6xD9mm - -2 pcs  
PLASTIC PLATE 0 8x20x42mm (Wing Protection) - -1 pc .
  10. CANOPY - -1 set
  11. DECALS - -1 set
- **COVERING:--**
- LIGHTEX SGX 050 TRANSPARENT BLUE  
 LIGHTEX SGX 100 WHITE  
 LIGHTEX SGX 250 BLUE  
 LIGHTEX SGX 312 BRIGHT RED  
 LIGHTEX SGX 330 CADMIUM YELLOW  
 LIGHTEX SGX 331 CUB YELLOW

# 1 Main Wing

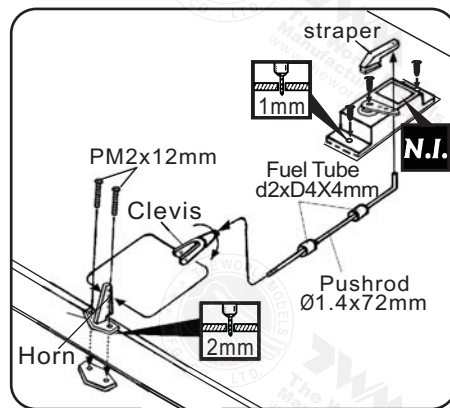
● Apply instant type CA glue to both sides of each hinge.



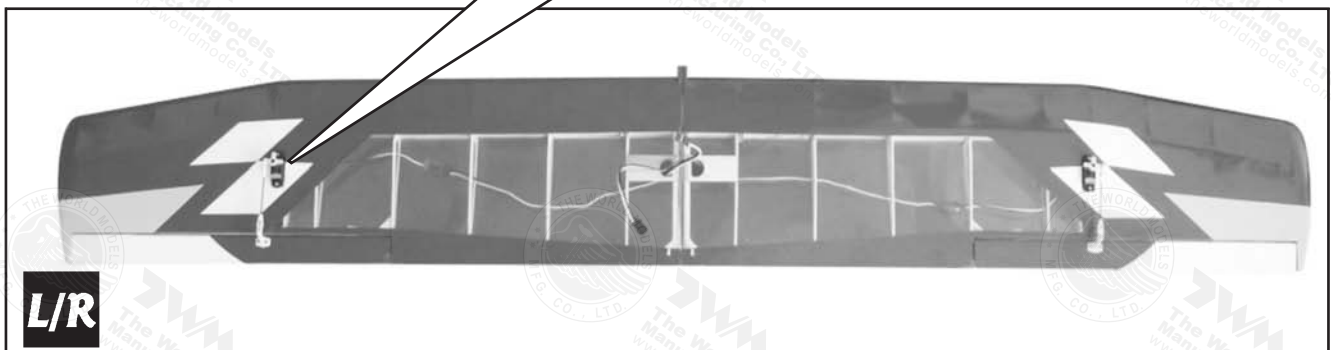
● Completed

# 2 Aileron Servos

PM2x12mm Screw 4

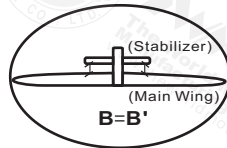


● Ø1mm pilot holes for World Models tri-horn are pre-drilled. Please look for pin-hole marks at under side of control surfaces.

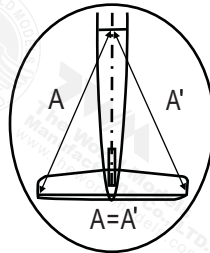
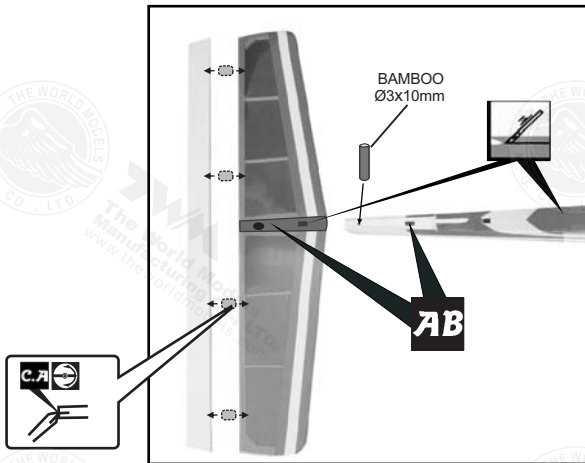


● Bottom View

### 3 Stabilizer & Elevator

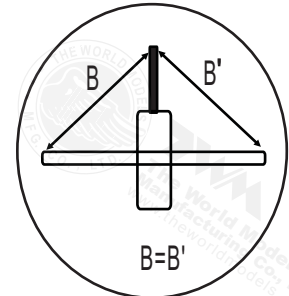
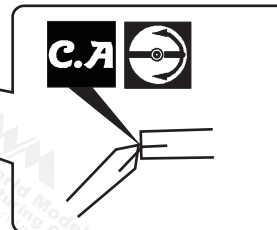
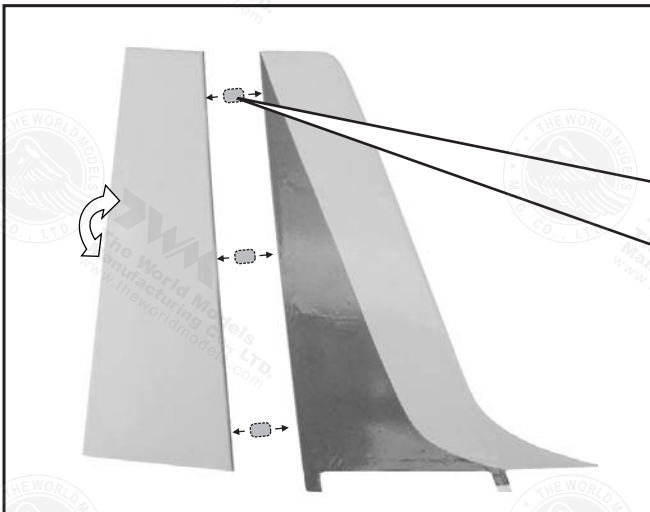


Temporary install the main wing, adjust leveling of the stabilizer to make it as parallel to the main wing as possible.

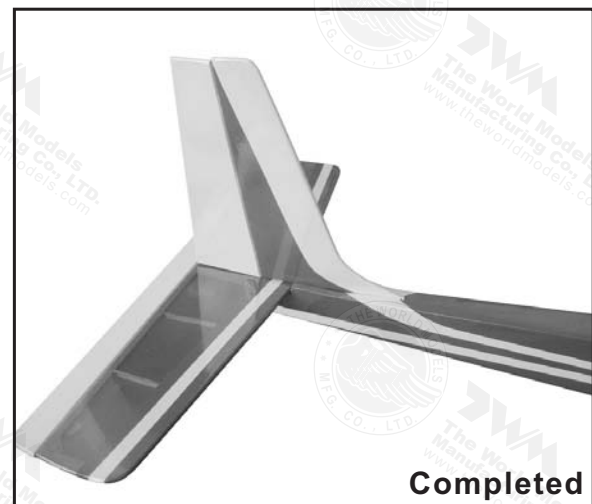
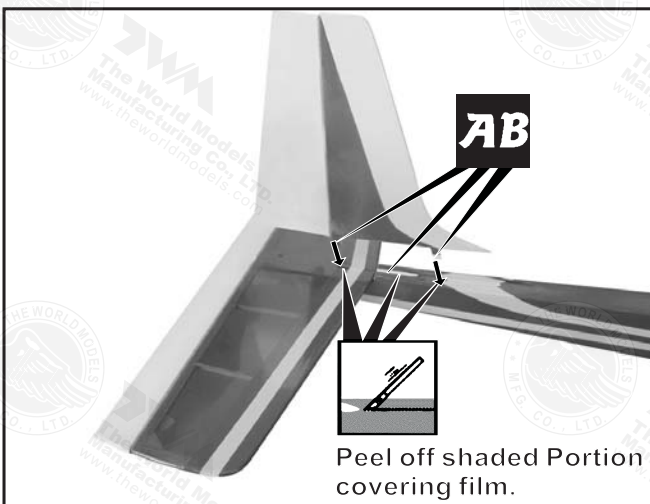


● Apply instant type CA glue to both sides of each hinge.

### 4 Vertical Fin & Rudder



● Apply instant type CA glue to both sides of each hinge.

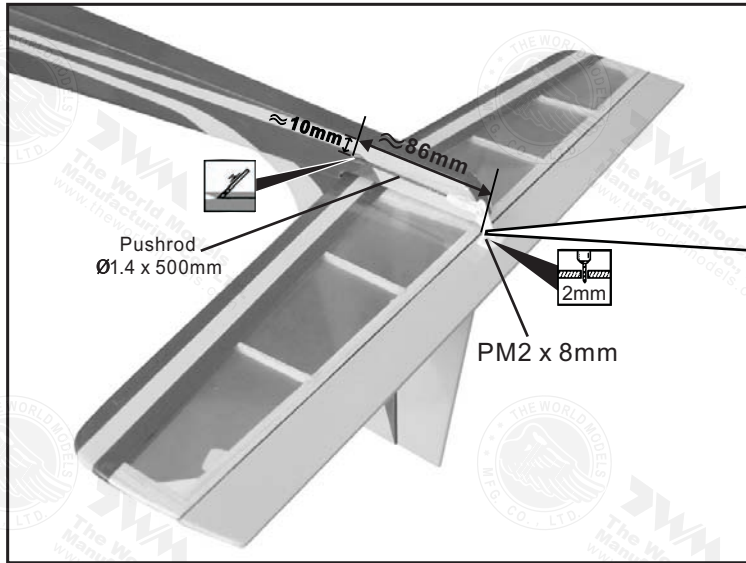


## 5 Elevator Pushrod

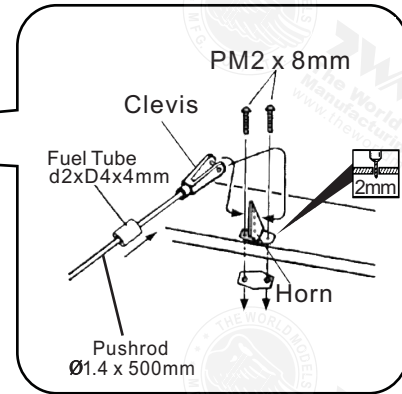
PM2 x 8mm **Screw**



- Ø1mm pilot holes for World Models tri-horn are pre-drilled. Please look for pin-hole marks at under side of control surfaces.



● Bottom View

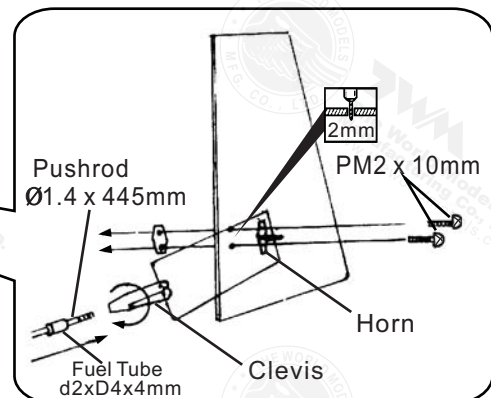
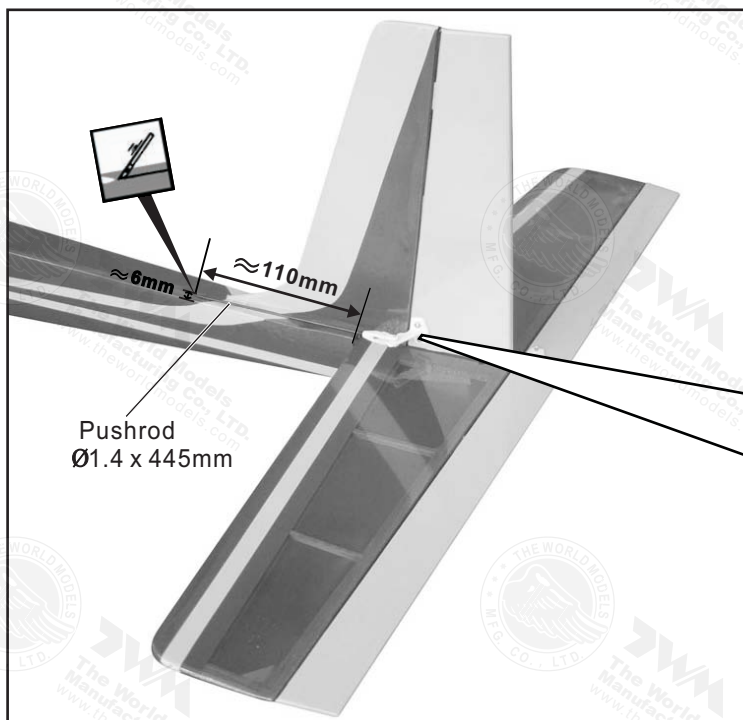


## 6 Rudder Pushrod

PM2 x 10mm **Screw**

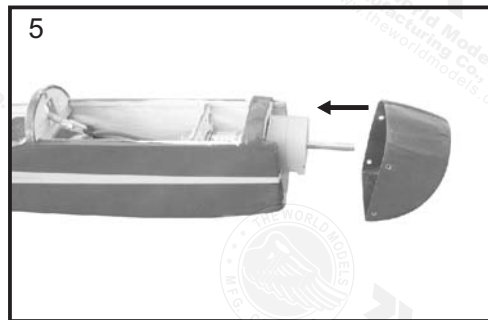
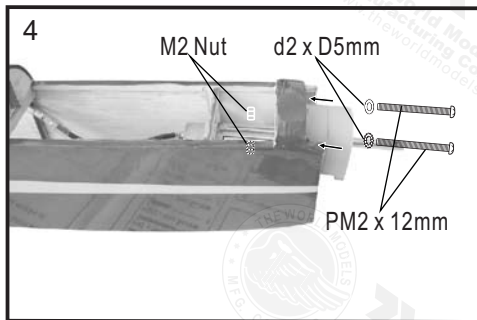
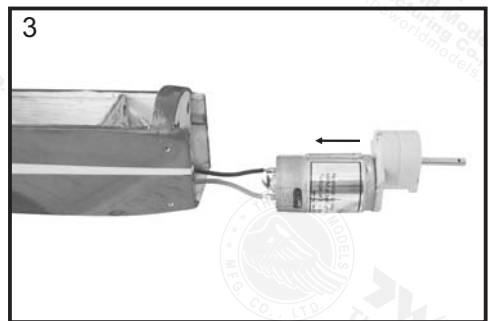
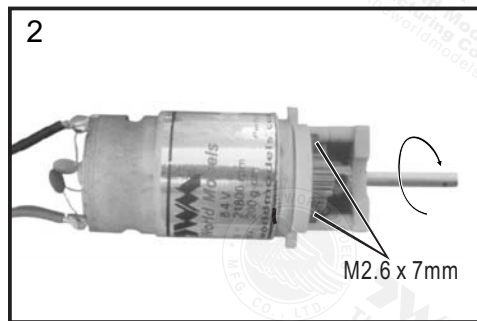


- Ø1mm pilot holes for World Models tri-horn are pre-drilled. Please look for pin-hole marks at side of control surfaces.

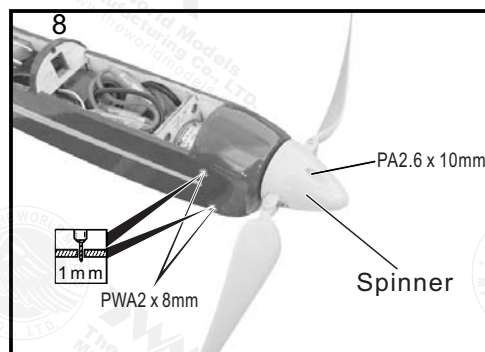
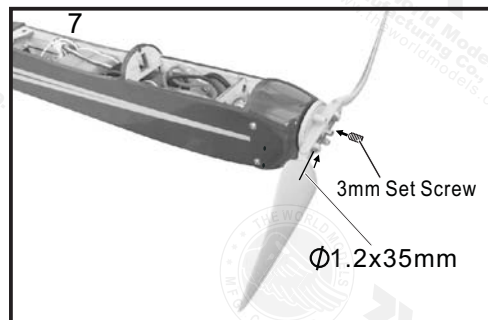
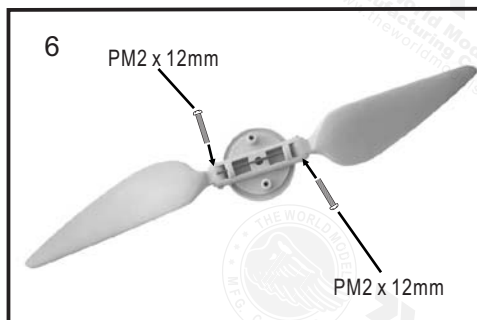
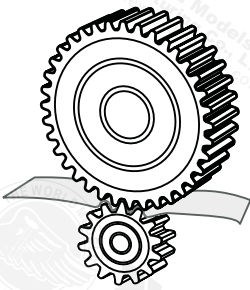


# 7 Motor / Cowling Setting

- M2.6x7mm Screw — 2
- PM2 x 12mm Screw — 4
- PWA2 x 8mm Screw — 4
- PA2.6 x 10mm Screw — 2
- M2 Nut — 2
- d2 x D5mm Washer — 2
- 3mm Set Screw — 1

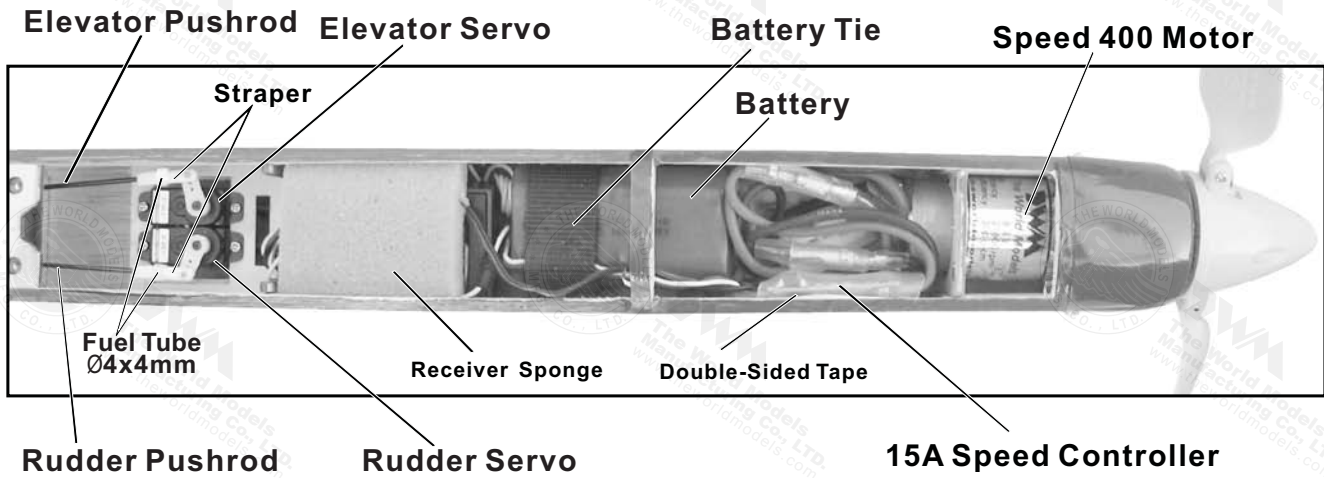


● TO ALLOW FOR BACKLASH OF MATCHING GEAR, PUT A PIECE OF THIN PAPER BETWEEN THE GEARS AND THEN TIGHTEN THE M2.6x7mm SCREWS. REMOVE THE PAPER BEFORE FLYING.



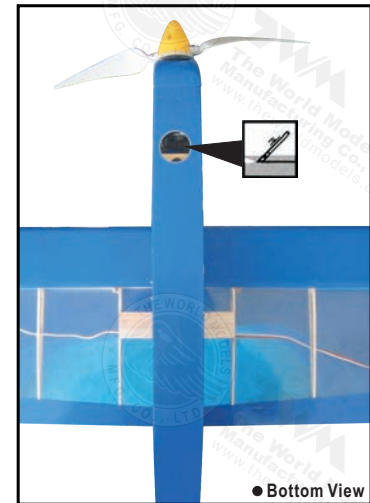
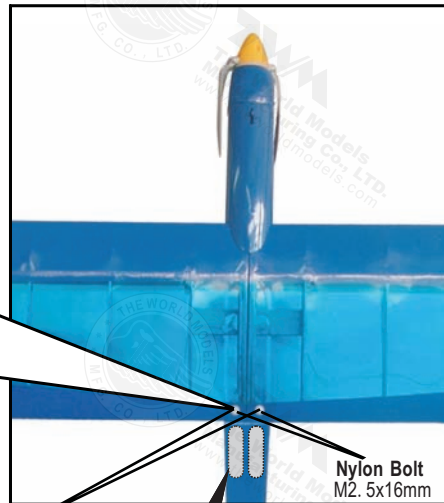
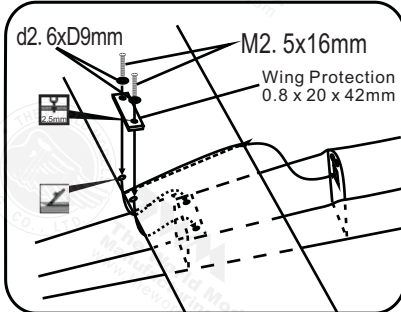
## 8 Radio Equipment

● Install and arrange the servo as shown in the diagram.



## 9 Main Wing

- Nylon Bolt M2. 5x16mm — 2
- Nylon Washer d2. 6xD9mm — 2

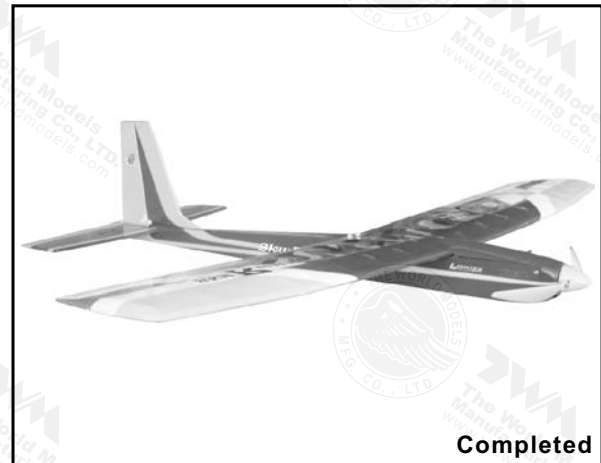
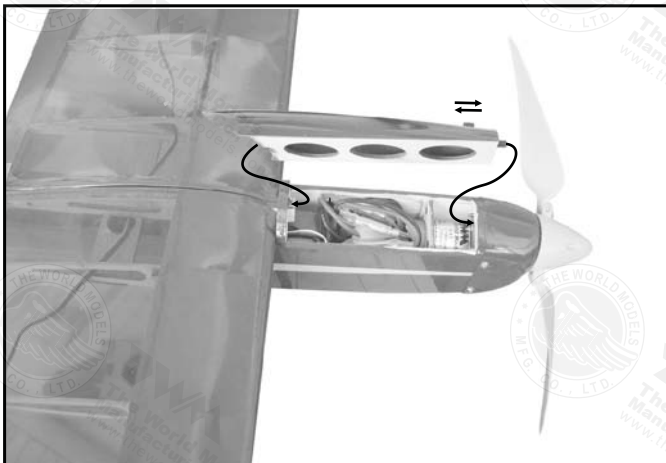


Nylon Washer  
d2. 6xD9mm



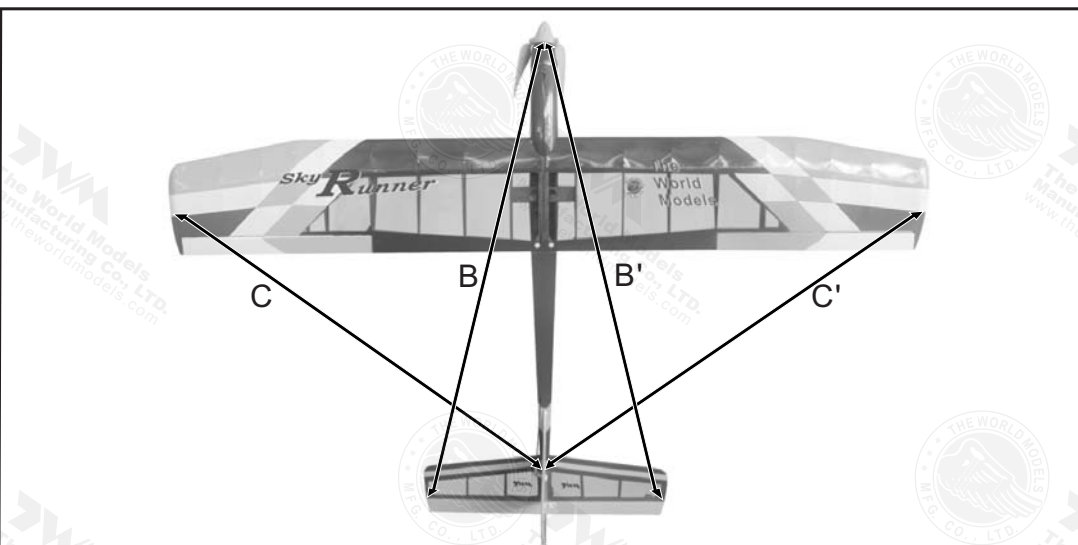
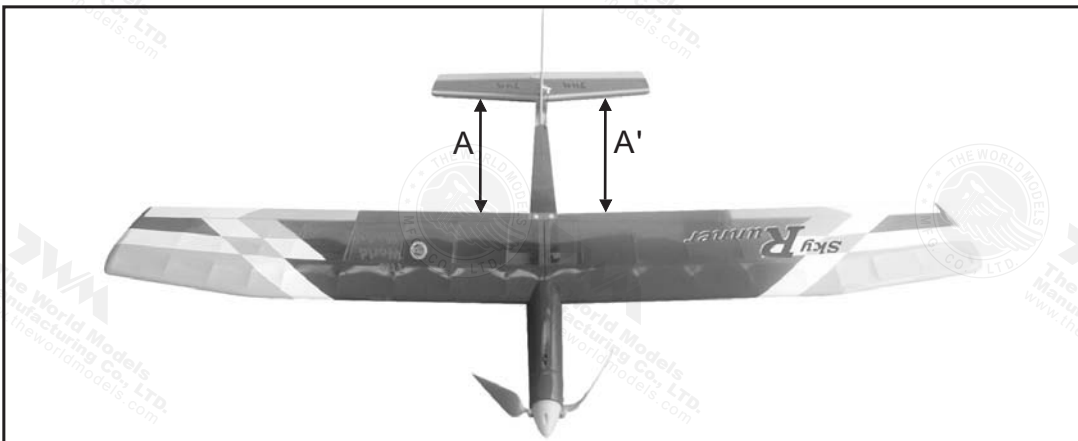
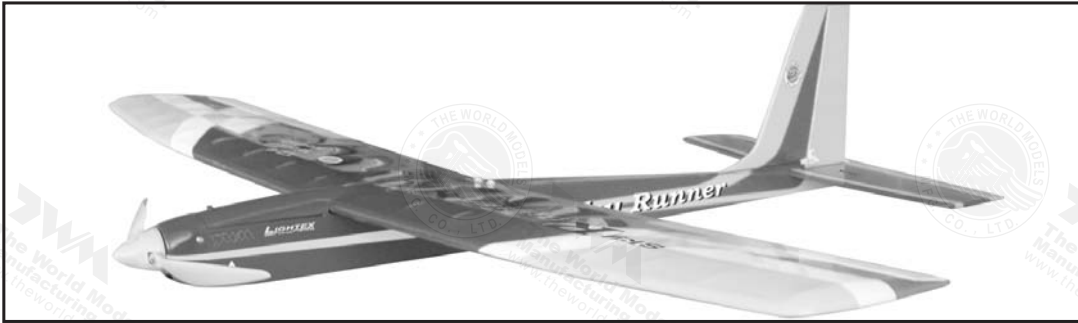
Peel off shaded portion covering film.

## 10 Canopy



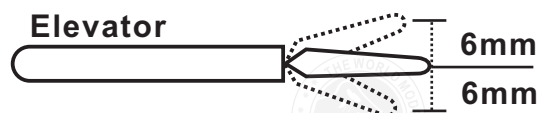
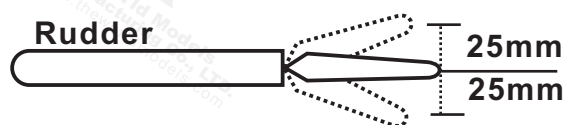
# 11 Wing Setting

- Adjust the wing and fuselage configuration as shown in the diagrams.



$A=A'$     $B=B'$     $C=C'$

## 12 Control Throws



Adjust the control throws as shown in the diagram. These throws are good for general flying. You can adjust according to your personal preference.

## 13 C.G.

The ideal C.G. position is 52mm (2.0 in.) behind the leading edge measured at where the wing meets the fuselage. In order to obtain the C.G. Specified, add weight to the fuselage or move the battery position. Check the C.G. Before flying.



## ! Warning!

### Important Safety Precautions

- #First time flyer should never fly by himself/herself. Assistance from experienced flyer is absolutely necessary.
- #Pre-flight adjustment must be done before flying, it is very dangerous to fly a badly pre-adjusted aircraft.
- # **Sky Runner** is specially designed to be powered by **speed 400 geared** motor.
- #Make sure the air field is spacious, never fly the plane too close to people and never get too close to a running propeller.
- #If you find wrinkles on the covering as a result of weather changes, you can use hot iron to remove the wrinkles. Please begin with lower temperature setting and gradually raise the temperature until the wrinkles are gone. Too hot an iron may damage the covering.
- #Check and re-tighten up all factory assembled screws, use thread locker if applicable.

## Product Registration Form (US Customers)

We would like to share with you any relevant information regarding your model, including product news and free upgrade parts when applicable. Please fill in the following and send to Air Borne Models, 2403, Research Drive, Livermore, CA 94550.U. S. A.

1.Name: \_\_\_\_\_

2.Address: \_\_\_\_\_

3.Phone #: \_\_\_\_\_ e-mail: \_\_\_\_\_

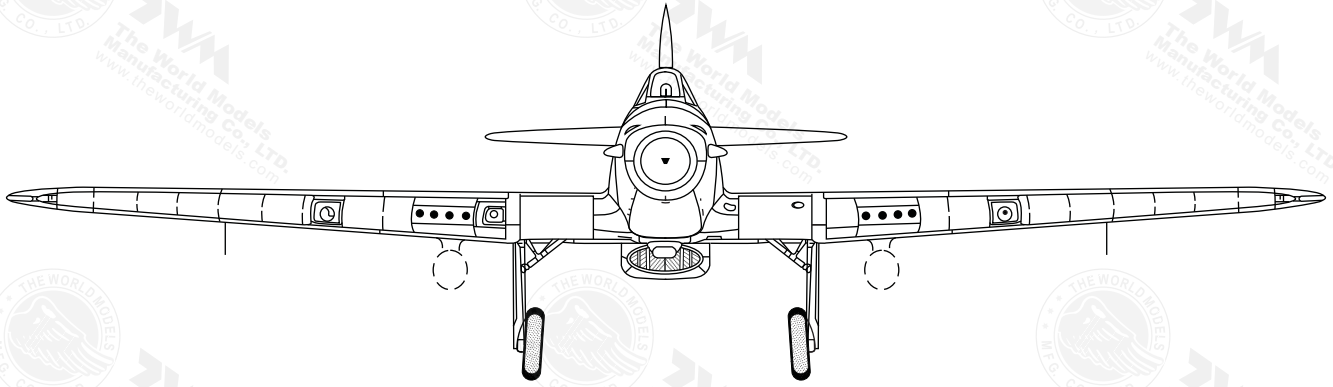
4.Model: \_\_\_\_\_

Wing QC# \_\_\_\_\_ Fuselage QC# \_\_\_\_\_  
(QC numbers are stamped on wing and fuselage)

5.Date of Purchase: \_\_\_\_\_

6.Store Name: \_\_\_\_\_

Please call AirBorne Models at 925 371 0922 for any assistance in filling this form.  
Thank you very much for purchasing our product.



**Ducted Fan**

**Pattern**

**Warbirds**

**Funfly**

**Scale**

**Electric**

**Sports**

**Glider**

**Trainer**

**Boat**

**Accessories**

**Covering**

(Lightex / Toughlon)



**The World Models  
Manufacturing Co., LTD.**  
www.theworldmodels.com